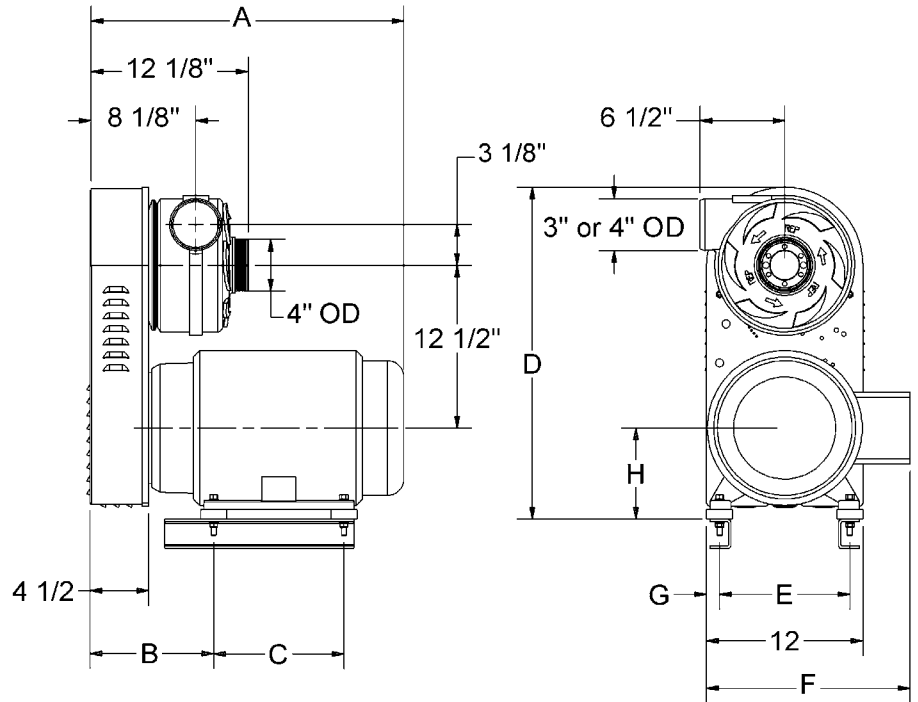




REPUBLIC
Blower Systems®



Republic Centrifugal Blower RB 1200HC



RB 1200HC Specifications

- ▲ 5-25 Horsepower – Up to 20,000 RPM
- ▲ Most Versatile, Providing Local Mounting
- ▲ Ceramic Hybrid Bearings
- ▲ Multi-lip Seals on Both Ends of the Shaft
- ▲ Easy to Remove Bearing/Impeller Housing for Quick Repair
- ▲ Hard Anodized (optional)
- ▲ Blower Outlet Discharge is Rotatable 360°
- ▲ Precision Balanced Shaft/Impeller Assemblies
- ▲ Zinc Plated Steel Motor Pulley
- ▲ Stainless Steel Blower Pulley
- ▲ Aluminum Blower Housing
- ▲ 6061 T6 Aluminum Impeller

- ▲ Bearing Housing is Steel Construction for Extra Rigidity
- ▲ 16 Groove Belt for Long Life
- ▲ Inlet and Outlet Flanges Available
- ▲ Enclosures for Noise Control (optional)
- ▲ Exhaust Silencer (optional)
- ▲ Operational with all Types of Motors– Washdown, Explosion Proof, High Efficiency and Hydraulic
- ▲ 100% Operational Performance and Vibration Tested
- ▲ One Year Warranty
- ▲ Water-cooled Blower Available
- ▲ 4" Standard Discharge, 3" Discharge Optional

HP	A	B	C	D	E	F	G	H
5 (184T)	18.38	7 1/4	5 1/2	23 1/8	7 1/2	11 7/8	2 1/4	5 1/4
7 1/2 (213T)	20	8	5 1/2	23 7/8	8 1/2	13 3/8	1 3/4	6
10 (215T)	21.44	8	7	23 7/8	8 1/2	13 3/8	1 3/4	6
15 (254T)	26.06	8 3/4	8 1/4	24 7/8	10	16 3/4	1	7
20 (256T)	26.06	8 3/4	10	24 7/8	10	16 3/4	1	7
25 (284T)	28.42	9 1/4	9 1/2	24 7/8	11	18 7/8	1/4	7

HP	Est. WGT. (lbs)
5 (184T)	154
7 1/2 (213T)	175
10 (215T)	205
15 (254T)	245
20 (256T)	348
25 (284T)	440

Retro Kit Est. WGT. (lbs)	79
----------------------------------	----

5131 Cash Road ▲ Dallas, TX 75247 ▲ P 214.631.8070 ▲ F 214.631.3673 ▲ 800.847.0380

www.republicsales.com

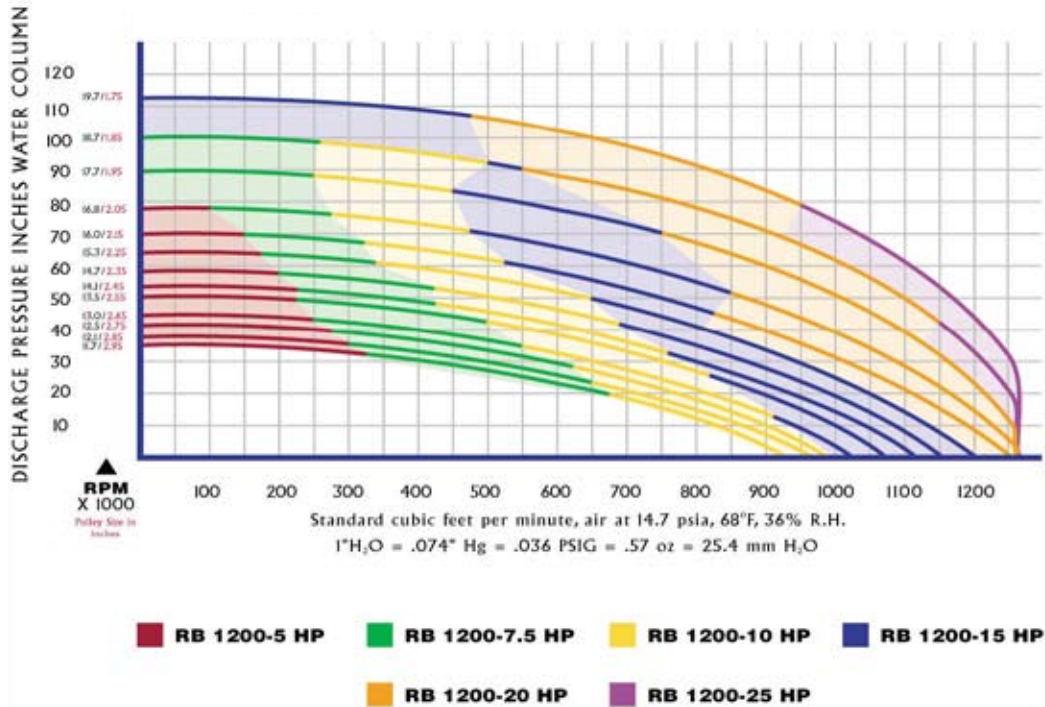


Republic Centrifugal Blower Performance Curves

REPUBLIC
Blower Systems®

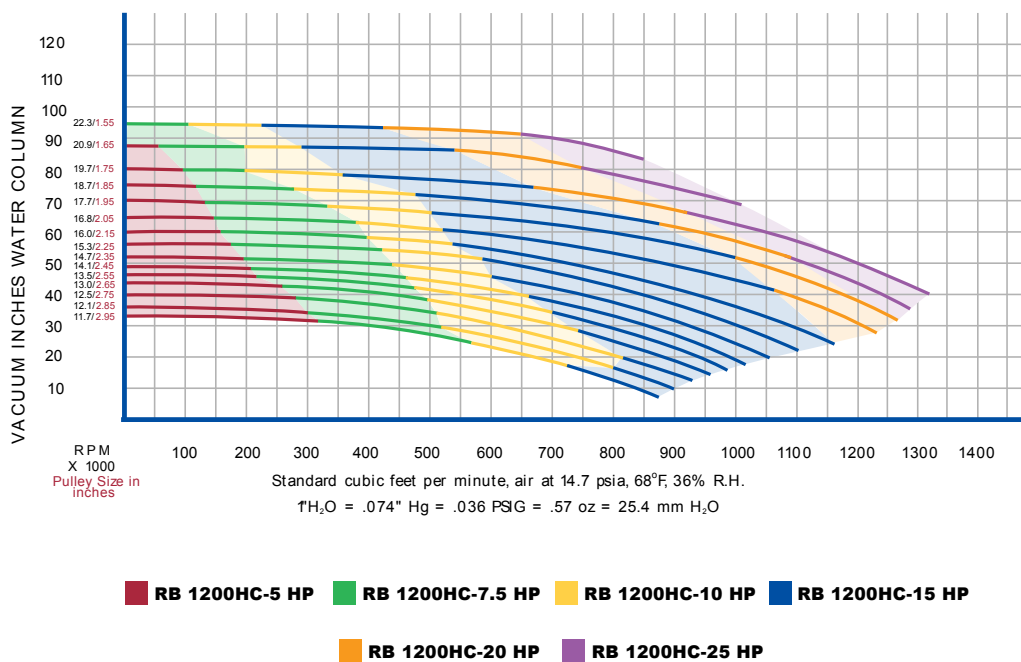
Pressure vs. CFM

RB1200HC/5-25 HP



Vacuum vs. CFM

RB 1200HC/5-25 HP



5131 Cash Road ▲ Dallas, TX 75247 ▲ P 214.631.8070 ▲ F 214.631.3673 ▲ 800.847.0380

www.republicsales.com

©2006 Republic Sales & Manufacturing
Modified 11.2007
280-0076